

# Ionex KA / KB

## Waste Water Treatment Unit

Translation of the Operating Instructions



### Table of Content

Preface.....	2	Maintenance.....	8
Technical Data.....	3	Cleaning.....	9
EG- Declaration of Conformity.....	4	Spare Part List.....	9
Intended Use.....	5	Guarantee.....	11
Safety.....	5	Disclaimer of Warranty.....	11
Description of the process.....	6	Copyright.....	11
Installation and commissioning.....	8		

## Preface

### Ionex

The name IONEX stands for ION-EXchanger, which is the very heart of this modern waste water treatment system. The Ionex is a modern and compact plant to treat rinsing water coming from the etching or through-hole-plating machines of a pcb laboratory. We offer 4 basic variants, which differ in rinsing water through-put and ion capacity. Type A and B are equipped with a cotton pre-filter, two cation columns and a ph neutralization column. Type KA and KB have three ion exchange columns.

The cation columns color red, when loaded with ferric ions and blue/green, when loaded with copper ions. Loading of anion column can be tested by measuring the conductance of the cleaned water.

Loaded columns can be sent to Bungard for regeneration or we support you to do the regeneration yourself. The drain water quality from this system is in accordance to German directives, which are of the highest standards world wide!

As an option the IONEX can be equipped with a conductance meter (IONEX KA/KB) or a ph-meter (IONEX A/B). This way you have the quality of the treated rinse water always under control.

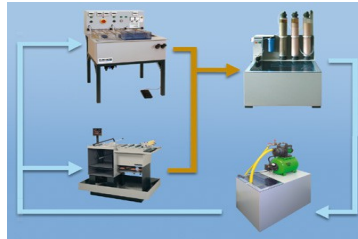
On the right you can see the schematic and the connection of a IONEX Type A or B.



Closed loop rinsing water: IONEX KA and KB filter next to the metallic cations also the anionic halogens from the rinsing water, so you receive demineralized water. The demineralized water is collected and pumped back to the etching or through-hole-plating machine.



On the right you can see the schematic and the connection of a IONEX Type KA or KB.



Of course the machines of the IONEX family can be adapted according to your needs. The IONEX XXL e.g. cleans 1500 l of rinsing water. The IONEX AU filters gold ions out of rinsing water from a nickel-gold-processing machine. These gold ions can be regenerated and returned to the gold bath



### Technical Data

	IONEX KA (KB)
<b>Dimensions (H x W x D):</b>	700x430x1300 mm (900x600x1500 mm)
<b>Weight:</b>	30 kg (60 kg)
<b>Tank Capacity:</b>	max. 110 l(220l)
<b>Cleaning Capacity:</b>	10 l/h (20l/h)
<b>Power Supply:</b>	230 V~, 50 Hz, 50 W
<b>Filter:</b>	10" filtercartridge filled with active carbon
<b>Ion exchanger:</b>	1 x cation 3l ( 6l), 2 x anion 3l (6l)
<b>Water in- and outlet:</b>	20 mm
<b>Capacity:</b>	approx. 100 (200) Eurocards or 1000 (2000) pre-rinsed Eurocards

## EG- Declaration of Conformity



### EG-Konformitätserklärung/Declaration of Conformity

Hersteller / Supplier:	Bungard Elektronik GmbH & Co. KG Rilkestraße 1 51570 Windeck Germany
Bevollmächtigte Person für die Zusammenstellung der technischen Unterlagen: Person in charge	Jürgen Bungard, Geschäftsführer /general director Rilkestraße 1 51570 Windeck Germany
Produkt:	Abwasseraufbereitungsanlage Ionex KA und KB Rinsing water treatment plant Ionex KA and KB

Hiermit erklären wir, dass die oben beschriebenen Maschinen allen einschlägigen Bestimmungen der Maschinenrichtlinie 2006/42/EG entspricht.

Die oben genannte Maschine erfüllt die Anforderungen der nachfolgend genannten Richtlinien und Normen:

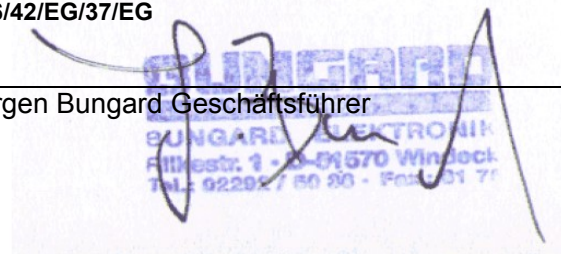
We hereby declare that the machines described above complies with all relevant provisions of the Machinery Directive 2006/42/EC.

The above machine meets the requirements of the following guidelines and standards:

- **Maschinenrichtlinie 2006/42/EG / Machinery Directive 2006/42/EC**
- **EMV-Richtlinie 2014/30/EG / EMC Directive 2014/10830EC**
- **Niederspannungsrichtlinie 2014/35/EG / Low Voltage Directive 2014/35/EC**
- **DIN EN 60204-1** Sicherheit von Maschinen - Elektrische Ausrüstung von Maschinen - Teil 1: Allgemeine Anforderungen / Safety of machinery - Electrical equipment of machines - Part 1: General requirements
- **DIN EN ISO 14121-1** Sicherheit von Maschinen - Risikobeurteilung - Teil 1: Leitsätze / Safety of machinery - Risk assessment - Part 1: Principles
- **DIN EN ISO 12100-1** Sicherheit von Maschinen - Allgemeine Gestaltungsleitsätze, Risikobeurteilung und Risikominderung / Safety of machinery - Basic concepts, risk assessment and risk reduction
- **DIN EN 55014-1 2012-05** Elektromagnetische Verträglichkeit, Anforderungen an Haushaltsgeräte, Elektrowerkzeuge und ähnliche Elektrogeräte, Teil 1: Störaussendung / Electromagnetic compatibility Requirements for household appliances, electric tools and similar electrical appliances Part 1: Emission
- **DIN EN 55014-2-2009-06** Elektromagnetische Verträglichkeit - Anforderungen an Haushaltgeräte, Elektrowerkzeuge und ähnliche Geräte - Teil 2: Störfestigkeit - / Electromagnetic compatibility - Requirements for household appliances, electric tools and similar apparatus - Part 2: Immunity
- **Niederspannungsrichtlinie / Low Voltage Directive 2014/35/EG**
- **Maschinenrichtlinie / Machinery Directive 2006/42/EG/37/EG**

Windeck, 10.1.2019

\_\_\_\_\_  
Jürgen Bungard Geschäftsführer



## Intended Use

The device may only be used for cleaning diluted rinsing water from etching, PTH- or developing systems. The device is not suitable for the treatment of concentrated acids.

All other applications require our written consent or at the user's own risk. Bungard GmbH & Co. KG assumes no liability for damage caused by improper use of the machine.

## Safety

The following safety precautions should always be observed when handling chemicals (etching agent, acids, lyes, etc.):

- Wear goggles and protective gloves for all work.
- If necessary only work under an extractor hood or at least in well ventilated rooms.
- Avoid contact with the skin, eyes and mucous membranes at all costs.
- Take off clothing soaked in caustic substances immediately.
- Rinse splashes on skin immediately with copious amounts of water.
- In the event of accidents or feeling unwell, always consult a doctor.

Only use the apparatus for its described application – that is treating diluted rinsing water. The unit is not suitable to treat concentrated solutions.

To avoid the risk of electric shock, do not remove the casing or open the back. There are no user serviceable parts inside. Leave servicing to the experts!

To prevent fire or the risk of electric shock, keep this unit out of the rain and away from moisture.

The lightning symbol with the arrow head inside an equilateral triangle means that there are live, un-insulated parts inside this unit that may give you a dangerous electric shock if touched.

The symbol with goggles and gloves indicate to all user that sufficient protection clothing and equipment is unalterable whilst working with chemicals.

### Instructions:

Read all the safety instructions and all the operating instructions thoroughly before using the unit for the first time.

Keep these safety instructions and operating instructions somewhere safe in case you need to refer to them again in the future.

### Safety warnings:

In your own interest pay heed to all the safety warnings on the unit and in the operating instructions. Follow the instructions on operation and use of the unit in every respect.

### Ventilation:

Wherever you put the unit, always ensure there is sufficient ventilation.

For the etching and plating units in some circumstances an exhaust system is necessary. This mainly depends on the chemicals used.

### Effect of heat:

Do not put the unit anywhere near sources of heat, such as radiators, hot air shafts, oven etc..

### Power source:

Connect the unit only to the power source indicated in the operating instructions or on the unit. There is a socket at the side of the machine. Plug in only the cable of the pressure tank to this plug and avoid to consumers with more than 6 A

#### Protecting the flex:

Run the flex so that no one can step on it and nothing can rest on or against it. The flex is particularly at risk in the area of the plug, the socket and where it comes out of the unit.

#### Cleaning:

Follow the manufacturer's recommendations for cleaning the unit.

#### Unit not in use:

If you are not going to use the unit for some time, remove the plug from the socket.

#### Foreign bodies:

Take great care to ensure that no liquids or other foreign bodies can find their way inside the unit through the openings in the casing.

#### Repair in the event of damage:

The unit should only be repaired by qualified personnel. Never try to do more in the way of maintenance to your unit than the operating instructions allow. Beyond that, always consult an expert for repair work.

#### Setting up

Set up apparatus only in a suitable room.

Apparatus filled with chemicals must be placed on chemical resistant floors.

In the case of overflow or leakage see safety data sheets. No chemicals are allowed untreated in the sewerage. In some case absorber tanks are necessary.

The use of the apparatus is not allowed in the residential area; keep away from children.

## **Description of the process**

The Ionex serves to treat rinsing waters from etching-, developing or pth-machines. We recommend to use ferric-III-chloride as etching agent.

The plant is made up of a storage tank, a peristaltic pump with a fluid level monitor and three treatment stages:

- Filter element
- One ion exchanger column type cation
- Two ion exchanger column type anion

The rinsing water from the etching, pth- or developing process flows into the storage tank of the waste water treatment plant. The waste water is pumped by the peristaltic pump into the filter and then through the three ion exchanger columns.

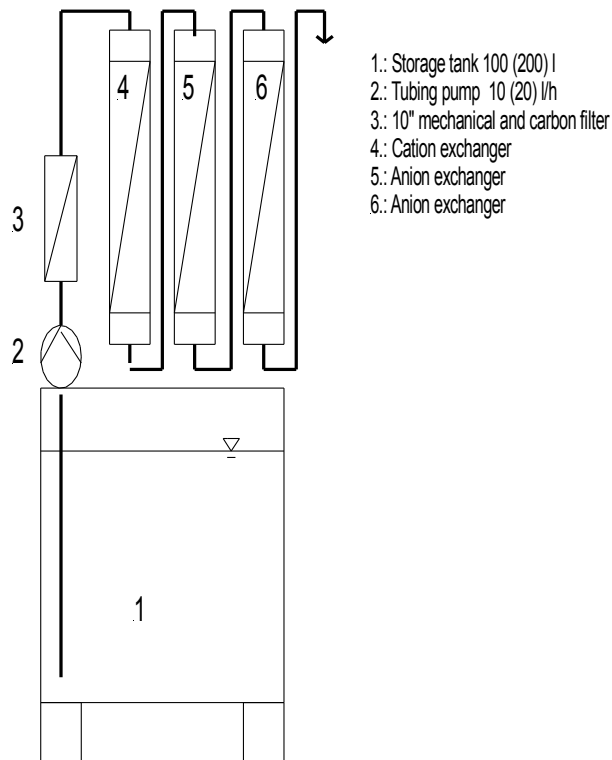
There are two solenoid switches in the storage tank. The lower solenoid switch automatically switches off the pump when the tank is empty.

To prevent the tank from overflowing the upper solenoid switch interrupts the power supply for the plug on the left side of the Ionex.

This socket is designated to connect the Ionex to a pressure unit (max. 2 A) for a closed loop rinsing system. With no power in the socket the pressure unit will stop pumping rinsing water into the etching or pth-machine.

The filter is used to retain suspended matter, which may be made up, for example, of photographic lacquer. Depending on how dirty the fluid is, the filter may have to be replaced or cleaned.

The waste water passes through the ion exchangers from top to bottom. All columns containing the ion exchanger resin are connected in series.



If we calculate that one board (100 x 160 mm Euro card) diverts 2ml of etching agent into the rinse water and uses 1 litre of rinsing water, then one column of the Ionex has a capacity of approx. 100 boards (Ionex KB 200 boards). If you use a static pre rinse leaving most ions in this rinse, the capacity of one column increases approx. by factor 10 (1000 boards IONEX KA /2000 Boards IONEX KB)

The cleaned water can be reused to rinse the boards.

To run the machine in a complete closed cycle a connection to an external pressure unit is necessary. We offer a perfect fitting rinse water tank with pressure unit as an option.

## Installation and commissioning

Install the unit horizontally to achieve an optimum flow through the plant. A spirit level may be used to check its position.

Connect the water inlet of the IONEX to the rinse water outlet of your pcb machines. Use appropriate tubes and fittings (fiber reinforced PVC tubes and hose clamps e.g.). Connect the water outlet of the second anion column to the tank of your pressure unit.

There is a socket at the side of the machine. Plug in only the cable of the pressure tank to this plug and avoid to consumers with more than 6 A

The plant is switched on by pressing the "On" light button. At the same time the fluid level system is activated. Pressing the „Pump“ switch activates the peristaltic pumps.

Fill the storage tank with rinsing water.

The etching agent iron (III) chloride contains the metals iron and copper in ionogenic form. If the pH value is not adjusted to approximately 2, part of the metals will be precipitated in the form of hydroxide and will be retained in the filter. To reduce the hydroxide sump, you can lower the pH value to 1.5-3 by adding approx. 0.5 to 1 litre of hydrochloric acid (approx. 10%) for 100 litres. The chemical is to be added whilst stirring the solution. If the pH value falls below 1.0, it may be corrected with diluted caustic soda (approx. 5%). The pH value may be measured with indicator paper or a pH meter. The chemicals will be totally mixed into the solution within thirty minutes.

Open the ventilation screw on the head of the ion exchanger columns.

Turn on the main switch.

Switch on the pump - while the first column is being filled, waste water will escape through the ventilation line and is fed back into the storage tank. The ventilation screw can now be closed to ensure that the column is completely filled. The second and third ion exchanger column is to be filled in the same way. If in the beginning air is collecting at the top of the column, you can evacuate this air by carefully opening the ventilation screw. The ventilation screw must not be completely removed to prevent the fluid spraying out.

## Maintenance

Before any maintenance work the unit must be switched off.

Put on protective gloves, clothing and goggles.

If you do not use the machine for a longer period, turn off the switch and pull the plug.

Further intervention is only required to a) check the column load, b) check the pH or conductivity of the clean water or c) occasionally check the pH in the storage tank so that no formation of residues can take place that would block the filter unintentionally.

The iron content or copper content in the out feed water may be tested using test rods. Indicator paper or a pH meter is to be used to measure the pH value. The pH value of the water must be between 6.5 and 9 whilst the copper concentration must be < 0.5 mg per litre and the iron content < 3 mg per litre.

The first ion exchanger column must be replaced before the resin has been completely discoloured from beige to dark brown or blue.

The second and third column does not change the colour during loading with anionic substances. You check its load by measuring the the conductivity of the cleaned water. If the conductivity increases to 50-100  $\mu\text{S}/\text{cm}$ , you have to exchange the columns. Conductivity meters are available in electronic supply stores.

On request we can send you instructions for regenerating the columns yourself.

Apart from that we complete the regeneration of the resin as a service.



To replace the ion exchanger column:

Open the ventilation screws on all columns.

To empty and replace the columns - first of all undo the sealing cap at the end of the column so that the fluid can drain out of the column. The column can now be lifted and sealed with the appropriate sealing caps. Now pack the column in the prefabricated box and sent it to us.

To replace the filter:

As the filter becomes more and more blocked with dirt the volume flow will fall. Before removing the filter the ventilation screw on the filter and on the ion exchanger columns must be opened. Undo the screw union and insert a new or cleaned filter. The sealing ring must be free of faults and clean.

To replace the pump hose:

The hose has been selected to meet the chemical resistance requirements. Its service life is 1,100 hours according to the manufacturer. This value may vary considerably from the manufacturer's figure depending on the speed of the pump, the age of the hose, etc. If you need to exchange the pumpe hose, please ask for our short instruction.

## Cleaning

The waste water treatment plant is made of PVC. Tap water can be used to rinse out the plant. Bad areas of dirt (for example, baked on dirt>) can be cleaned off using diluted acid (e.g. hydrochloric acid or sulphuric acid).

## Spare Part List

Article 1	Article 2	Short name	Englisch
91014		IONEX KREISLAUF DRUCKWASSER	Recycling water tank with pressure pump. Tank
691022		ET IONEX GRANULAT 5 KG	Mineral granules for IONEX (1unit=5kg)
691023		ET IONEX A REG. KATION	recycling of IONEX 1 kation exchanger
691024		ET IONEX B REG. KATION	recycling of IONEX B Kation exchanger
691026		ET IONEX HARZ KATION (5 l - Eimer)	Kation exchange resin for IONEX
691027		ET IONEX / RBM FILTEREINSATZ	Filter candle for IONEX
691028		ET IONEX A PUMPENSCHLAUCH	hose f. peristaltic pump IONEX A
691029		ET IONEX B PUMPENSCHLAUCH	hose f. peristaltic pump IONEX B
691030		ET IONEX FILTERSTRUMPF	Filter hose for IONEX
691031		ET IONEX FILTER AKTIVKOHLE	Active carbon filter candle for IONEX
691032		ET IONEX HARZ ANION (5 l - Eimer)	Anion exchange resin for IONEX
6910321	89000330	ET IONEX PUMPENMOTOR 24 V, Art.-Nr. 403.304 ca. 85 U/min, Anzugsdrehmoment 8 Nm, Nenn Drehmoment 2 Nm, Achse d 8	pump motor for Ionex
	1000086	PVC-Schrägsitzventil, 16 mm	PVC-diagonal valve 16mm
	1000150		Filter candle
	1000464	Gleichstromversorgung 24 V	Power supply
	89000302	Ismaprene ID 4,8 WS 1,6 mm	Pump hose Ionex A
	89000310		Active coal filter
	89000314	Rückschlagfilter Aufhärter säule Ionex A oder B (Sartorius Midisart 2000)	Check filter for Ionex A or B
	89000319		Cation exchange column 1.5 l Ionex A

	89000320			Cation exchange column 3.0 l Ionex B or KA
	89000321			Anion exchange column 3.0 l Ionex B or KA
	89000322			Neutralization column Ionex A incl. Neutralization agent
	89000323			Cation exchange column 6.0 l Ionex KB
	89000324			Anion exchange column 6.0 l Ionex B or KA
	89000325			Neutralization column Ionex B incl. Neutralization agent
	89000330			Gear motor ionex
	89000337			
	89001292			Pump head complete without motor (need motor with cone/spigot)
	99001012			Indicator paper
	10009000			
6000	99001018	Digital ph-Meter portabel		Incl. Accessories, complete with box, with pH electrode, buffer solution, temperature compensation pH-/Redox / ° C handheld meter with pH / ° C electrode (DIN) and testing and calibrating new rugged and ergonomic housing Powerful and easy to use measuring accuracy ± 0.01 pH testing and calibration
6000	01006062	Handleitfähigkeitsmessgerät		Hand conductivity meter probe including complete device including meter, probe, cable, 9V battery, range 0 to 1999 µS / cm
6000	01001062	pH-Einbauregler		pH-mounted controller 0 .. 14pH; Front panel mounting 79x49x95 mm 230 V AC control relay for dosing pH electrode mounting tank installation 0 .. 14pH 1/2 "NPT screw insensitive to contamination BNC connector Cable length 3 m total length 124 mm
6000	11005658	LEITFÄHIGKEITSMESSUNG Einbaugerät		CONDUCTIVITY MEASUREMENT mounted device consisting of: 1 Built-in device with 4-digit LCD display Measuring range adjustable to 0 to 1999 µS / cm or 0 to 199 µS / cm; 2 Relay for connection of a metering pump; 3 Built-EC probe; 4 calibration
	99001020			
	99001021			
	99001023			
	99001024			
	89000303			ID 6,4 AD 9,6
6000				
6000				
6000	89000328	Aniontauscherharz Gold Mindestbestellmenge 5 l !!!		Anionexchangeresin gold for Ionex, capacity 80-100 g/l not a DG

## Guarantee

All machines are submitted before distribution to examination on function and continuous operation firmness. On the machine we grant a work warranty of 12 months to our customers starting from purchase date on accuracy in material and processing. We warrant at our choice by exchange of incorrect parts or by repair of the machine in our house. Old parts change into our possession.

## Disclaimer of Warranty

Bungard GmbH & Co. KG reserves the right to change or enhance its machines or machine specifications according to its judgement, if necessary. Bungard cannot be held responsible to implement aforesaid changes into machines sold already.

Bungard products and services are liable to the current prices and conditions, which are subject to change.

The instructions and definitions in this document are also subject to change and mark no assurance on the part of Bungard.

This manual contains informations of the Bungard IONEX KA and KB and is the translated English version.

Please regard the "Sales terms and delivery conditions". These are available after fulfilment of the contract. We don't furnish a guarantee or warranty in cause of damages at material or hurts of people because of

Incorrect use of the machine

Wrong setup, installing and operating of the machine or incapable service

Use of the machine with defective safety equipment

Non-observance of the service manual in regard to transport, stocking, setup, installation and service of the machine

Unlicensed modifications at the machine

Incorrect or incomplete repairs

Destructive force effect at the machine in cause of foreign objects or external use of force

Use of non-original spare parts  
normal wear parts.

We cannot accept subsequent claims from damage or destruction of work pieces worked on in the machine, because we have no knowledge or control over the operating conditions at your site. This is valid in a general manner also for requirements from damage to articles, buildings and persons as well as the environment.

We do not warrant that the function of the machine will meet the customer's requirements or that the operation of the machine will to this regard be error free.

In no event will we be liable to the customer for any incidental, consequential, or indirect damages of any kind, including loss of profit and prosecution for environmental pollution, even if we could have been aware of the possibility of such damages.

All information was arranged with great care. We reserve ourselves however mistake and technical changes without previous announcement.

Running the machine in corroding, humid, dusty, extremely hot or explosive atmosphere happens at the operator's own risk and responsibility.

We explicitly exclude any warranty for damages resulting from running the machine in in corroding, humid, dusty, extremely hot or explosive atmosphere.

## Copyright

© 2019 Bungard Elektronik